

KBox B-202-RPL



High Performance Embedded Box PC with Versatile Expansion Capabilities

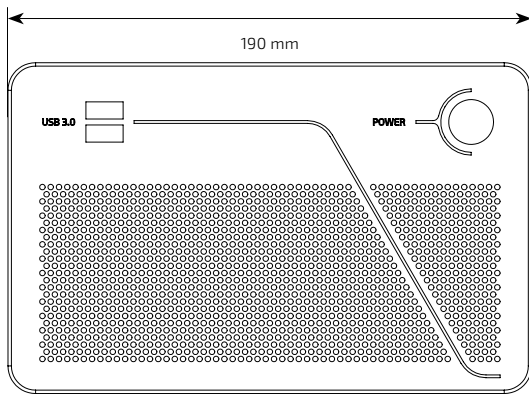
- High performance: 14th/13th Gen Intel® Core™ i9/i7/i5/i3
- Small form factor based on mITX motherboard
- RAID with several storage options, WiFi functionality
- PCIe expansion slots for graphics, network or other PCIe cards
- Smart Storage version with add. 2.5" SSD or 3.5" HDD up to 12 TByte

		SMART PERFORMANCE	SMART STORAGE
PROCESSORS	CPU MAX. NUMBER OF CORES MAX. SPEED SYSTEM CHIPSET BIOS	14th Gen Intel® Core™ i3-14100T/i5-14500T/i7-14700T/i9-14900T or 13th Gen Intel® Core™ i3-13100E/i5-13500E/i7-13700E/i9-13900E or Pentium® G7400E 24-Core (8x P-Core + 16x E-Core) P-Core: 1.8 GHz/5.2 GHz (Burst) E-Core: 1.3 GHz Intel® Q670E AMI® Aptio 5.x	
MEMORY	TECHNOLOGY MAX. CAPACITY SOCKET	DDR5 4800/5600* MHz Up to 64 GByte 2x SODIMM	
GRAPHICS	GRAPHICS CORE MAX. RESOLUTION	Intel® Core™ i5/i7/i9: Intel® UHD Graphics 770 Intel® Core™ i3: Intel® UHD Graphics 730 7680 x 4320 @ 60Hz	
FRONT INTERFACES	USB BUTTON / LED	2x USB 3.2 Gen1 Power Button with power LED	
REAR INTERFACES	GRAPHICS PORTS USB ETHERNET SERIAL PORTS AUDIO	4x DisplayPort 3x USB 3.2 Gen 2, 1x USB 3.2 Gen 2 (Type-C), 2x USB 3.2 Gen1, 2x USB 2.0 1x 2.5GbE: Intel® i226LM (Wake-on-LAN) 1x GbE: Intel® i219LM (Wake-on-LAN) 1x COM port RS232 1x Line in, 1x Line out	
STORAGE	M.2 PCIE/NVME DRIVE BAY DRIVE EXPANSION	1x M.2 Key-M 2242 socket 1x 2.5" SSD SATA III / SATA-600	1x M.2 Key-M 2242 socket 1x 2.5" SSD SATA III / SATA-600 2x 2.5" SSD or 1x 3.5" HDD or 2.5" removable drive bays (RAID)
EXPANSION SLOTS	M.2 WIRELESS PCie	1x M.2 Key-E 2230 socket 1x PCIe x16 or 2x PCIe x8	1x M.2 Key-E 2230 socket 1x PCIe x16
EXPANSION CARDS	VIA PCIe SLOT	Option for GbE, 10 GbE or Graphic Cards	
SOFTWARE SUPPORT	OPERATING SYSTEM	Windows® 10 IOT LTSC 2021, Linux	
POWER	INPUT VOLTAGE RANGE	90 to 264 VAC (150 W or 270 W**, external power supply) 24 VDC (optional)	90 to 264 VAC (150 W, external or internal power supply) 24 VDC (optional)
MECHANICAL	CONSTRUCTION MOUNTING DIMENSIONS (W x H x D) WEIGHT	Steel (Chassis), Aluminum (Front Panel) Desktop, Wallmount 190 x 120 x 190 mm (7.48" x 4.72" x 7.48") approx. 3.0 kg (6.6 lbs)	
ENVIRONMENT	COOLING OPERATING TEMPERATURE RELATIVE HUMIDITY	With Fan 0 °C to +45 °C (32 °F to 113 °F) 93 % RH at 40 °C, non-condensing	
APPROVALS	CERTIFICATIONS	UL 62386 (TÜV)/CB/CE/FCC/UKCA	

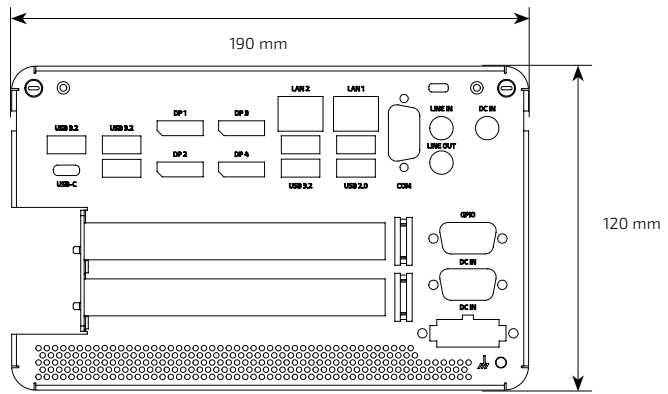
P-Core: Performance-Core
E-Core: Efficient-Core

* Support for DDR5-5600 pending. Requires Intel® Core™ i7 or i9 processor

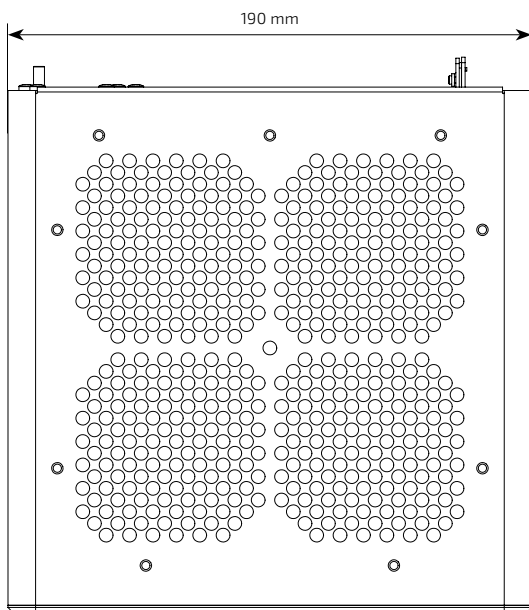
** 270 W external power supply only for selected graphics card, other Configuration with 270 W PSU on request



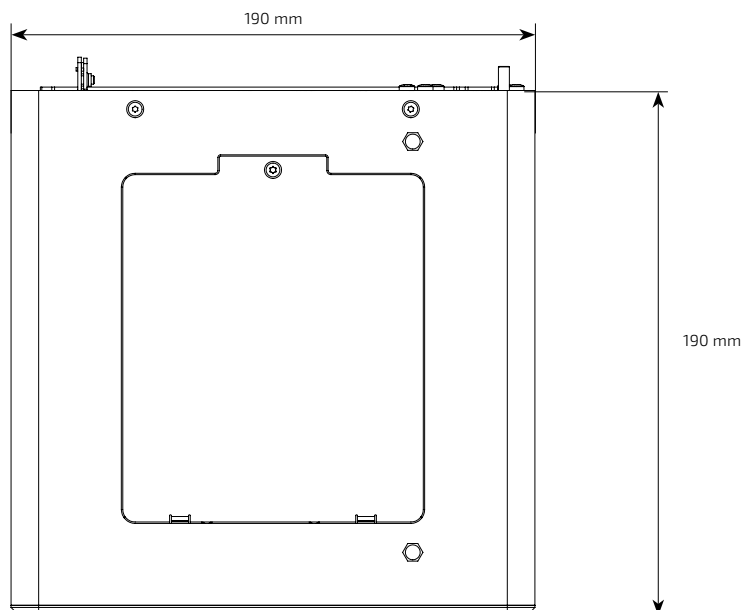
// Front Panel



// Rear Panel (example)



// Top Cover



// Bottom Side

AC POWER SUPPLY	1064-8948	90 to 264 VAC, Extern, 150 W PSU
AC POWER SUPPLY GRAPHICS	1067-3875	90 to 264 VAC, Extern, 270 W PSU
POWER CORD EU	0-0064-2173	Euro (Type A), 2.5 m
POWER CORD UK	0-0064-4173	UK (Type C), 2.5 m
POWER CORD US	0-0064-4317	US, 2 m
WALL MOUNT KIT	1065-3430	Wall mount kit

Global Headquarters

Kontron Europe GmbH

Gutenbergstraße 2
85737 Ismaning, Germany
Tel.: + 49 821 4086-0
info@kontron.com

www.kontron.com

